

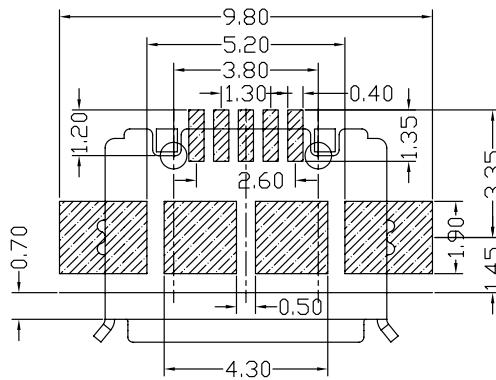
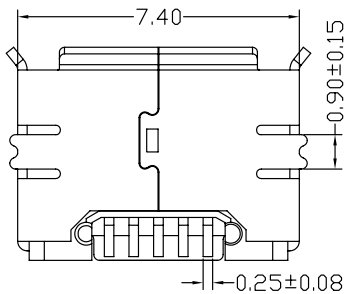
**Specifications**

**Current Rating: 1 A Max.**

**Insulation Resistance: 1000MΩ Min at DC 500V.**

**Dielectric Withstanding: 500V(ac) for 1 minute.**

**Contact Resistance: 30m Ω Max.**



Recommended P.C.B Layout

3	Shell	1	SUS	T=0.25mm	Nickel Plated
2	Contact	5	Brass	T=0.20mm	Contact area: 30u"Gold Plated over 40u"Nickel min Solder area: 80~120u"Tin Plated over 40u"Nicked Min. (or All Gold Plated)
1	Housing	1	LCP	UL 94-V0	Black
No.	Name	Q'ty	Material	Remarks & Thickness	Finish

**Ordering Information**

AJS17G	5	5	1	F
Type	Positions	Contacts	Ports	Plating F=Flash

Revision 1

<b>Tolerance</b> unless otherwise specified
.0 ± .30
.00 ± .20
.000 ± .XXX
angles ± 3°

<b>RIA</b> CONNECT	P/N: AJS17G551F
Desc.: Micro-USB type B receptacle, Horizontal SMD, mates with AJP39G Micro-B plug	
Date: 10-22-09	Drawn By: Donna Mears
Dimensions in mm	Verified By: Mike Balekdjian